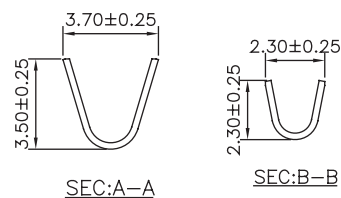
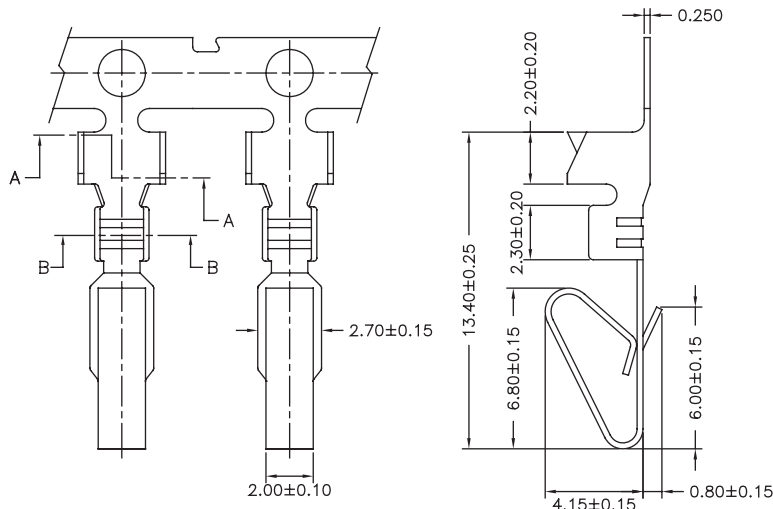


## 3.96mm TERMINAL / HOUSING



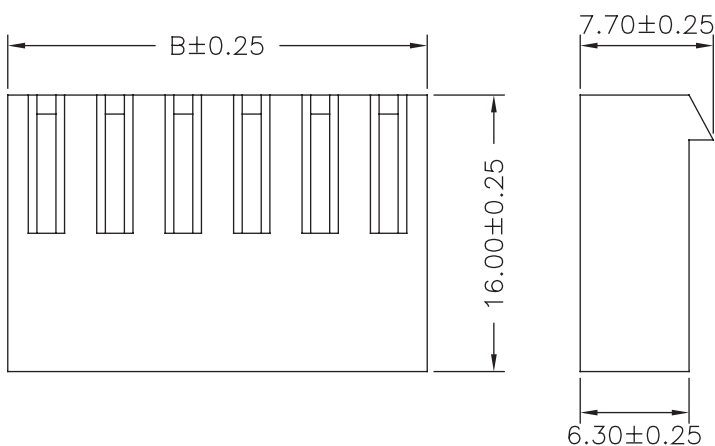
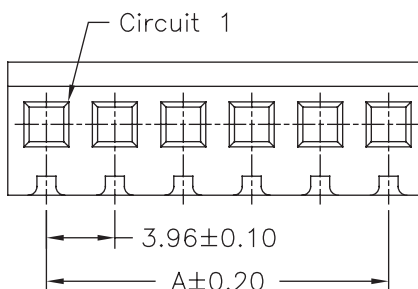
Part No.:3961-T-L

Wire Range	Insulation O.D.	Material	Finish	Qty/reel
AWG#18-#24	2.80mm(max)	Brass	Tin-plated	6,000pcs

### SPECIFICATIONS

Current Rating: 5A AC,DC  
 Voltage Rating: 250V AC,DC  
 Temperature Range: -25°C ~ +85°C  
 Contact Resistance: 10mΩ Max  
 Insulation Resistance: 1000MΩ Min  
 Withstanding Voltage: 1500V AC/minute  
 Material: Nylon 66,UL94V-2  
 Color: Natural(Translucent)

PART NO.	Dimensions	
	A	B
3691H-02W-L	3.96	8.43
3691H-03W-L	7.92	8.43
3691H-04W-L	11.88	8.43
3691H-05W-L	15.84	8.43
3691H-06W-L	19.80	8.43
3691H-07W-L	23.76	8.43
3691H-08W-L	27.72	8.43
3691H-09W-L	31.68	8.43
3691H-10W-L	35.64	8.43
3691H-11W-L	39.60	8.43
3691H-12W-L	43.56	8.43
3691H-13W-L	47.52	8.43
3691H-14W-L	51.48	8.43
3691H-15W-L	55.44	8.43
3691H-16W-L	59.40	8.43
3691H-17W-L	63.36	8.43
3691H-18W-L	67.32	8.43
3691H-19W-L	71.28	8.43
3691H-20W-L	75.24	8.43



Part No.:3961H-XXW-L